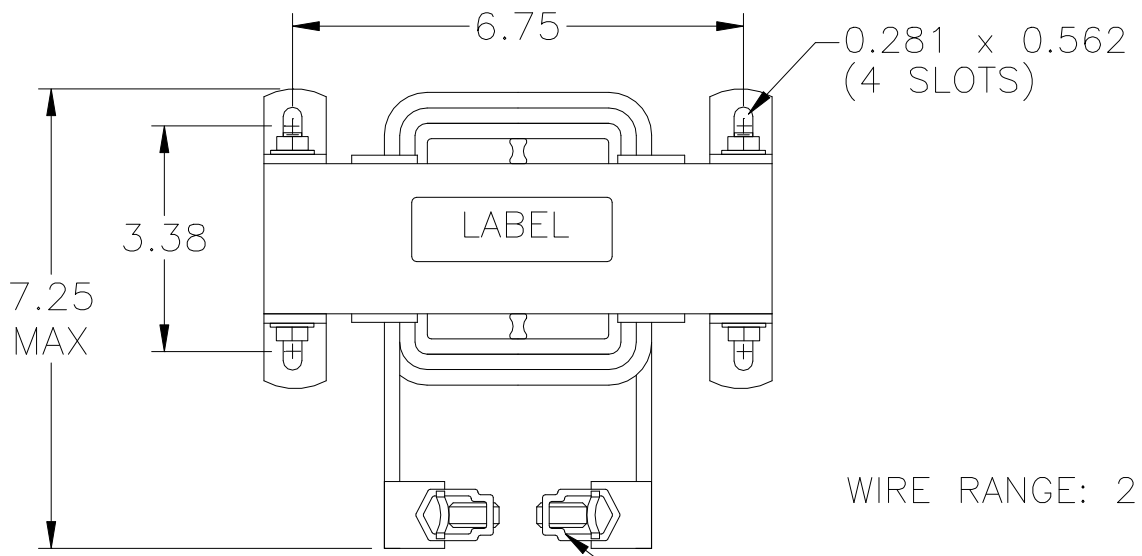


INDUCTANCE	LOSSES	WEIGHT
0.32 mH	46 Watts	48 Lbs

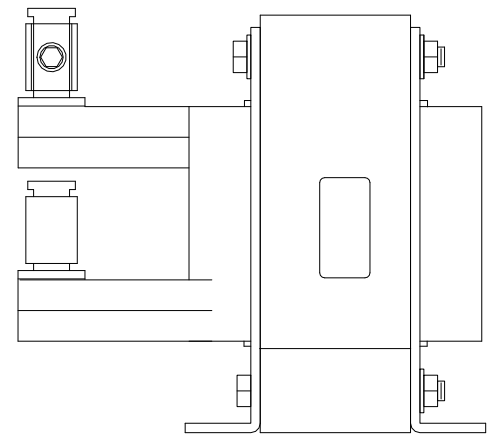
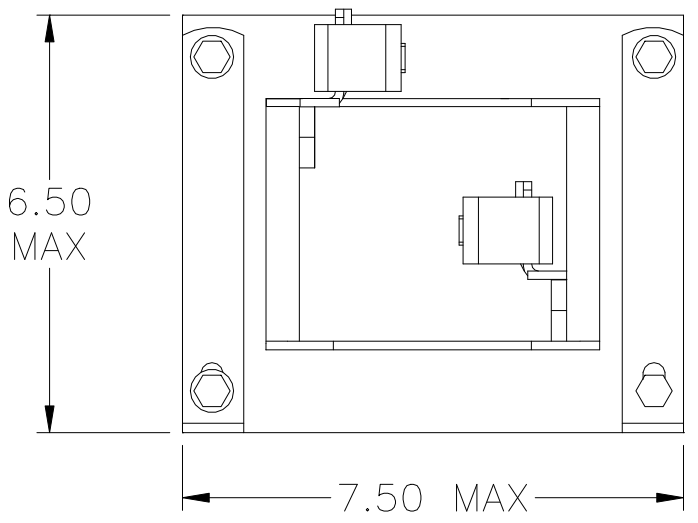
NO.	CHANGE DESCRIPTION	BY	DATE	C'K'D
04	REVISED PER ECR 7175, ADDED CD	RS	8/23/10	

FILE:



WIRE RANGE: 2-000 AWG

CAUTION-TERMINAL SCREW TIGHTENING TORQUE: 150 in-lb MAX.



UNLESS OTHERWISE SPECIFIED, DIMENSIONS ARE IN INCHES [mm] AND TOLERANCES ARE:

DECI.                      FRAC.

ANGLES                    DRILLED HOLES

PART NAME:	DC LINK CHOKE
DESCRIPTION:	OUTLINE DIMENSION
FINISH:	

MTE CORPORATION MEMONONEE FALLS, WISCONSIN			
CD 150RB003			REV. 04
SCALE	NTS	DATE 08/27/96	C'K'D
REF.	DR. BY	BET	APP'D